

Single Needle, Post Basting Machine

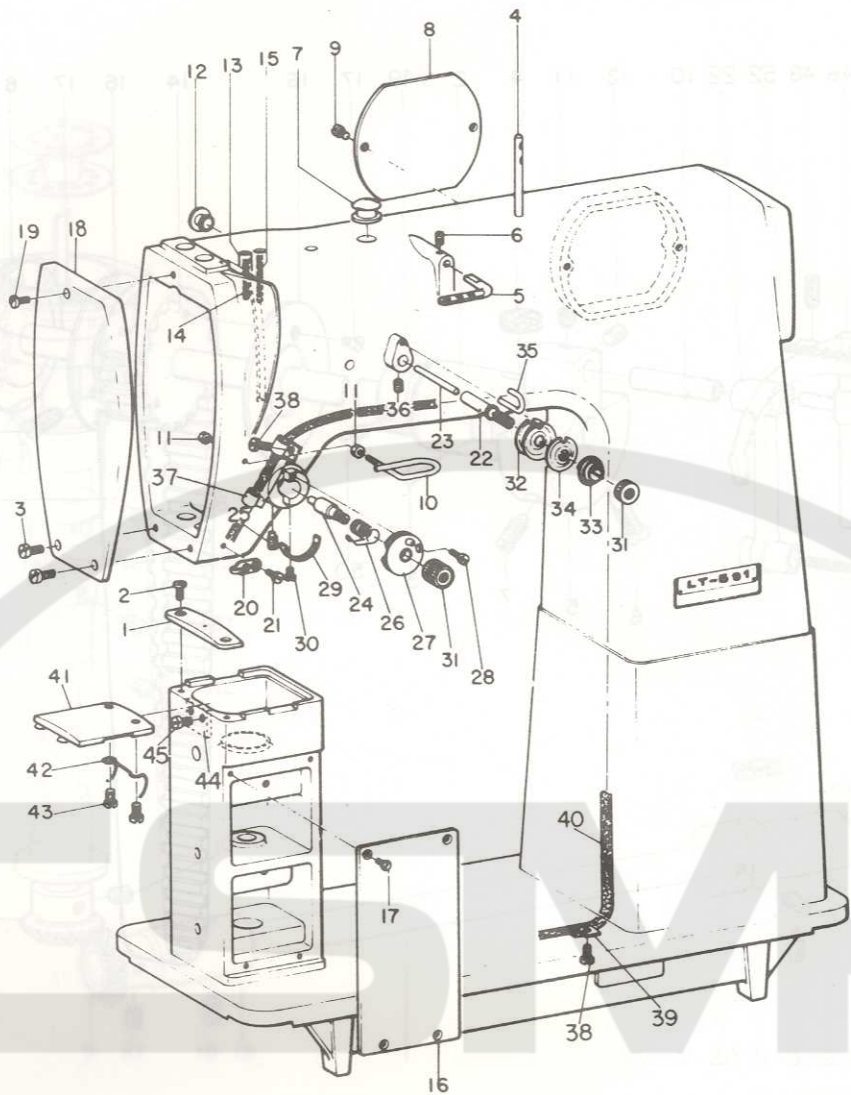
一本針本縫ポスト型しつけ縫ミシン

# LT-591

## PARTS LIST



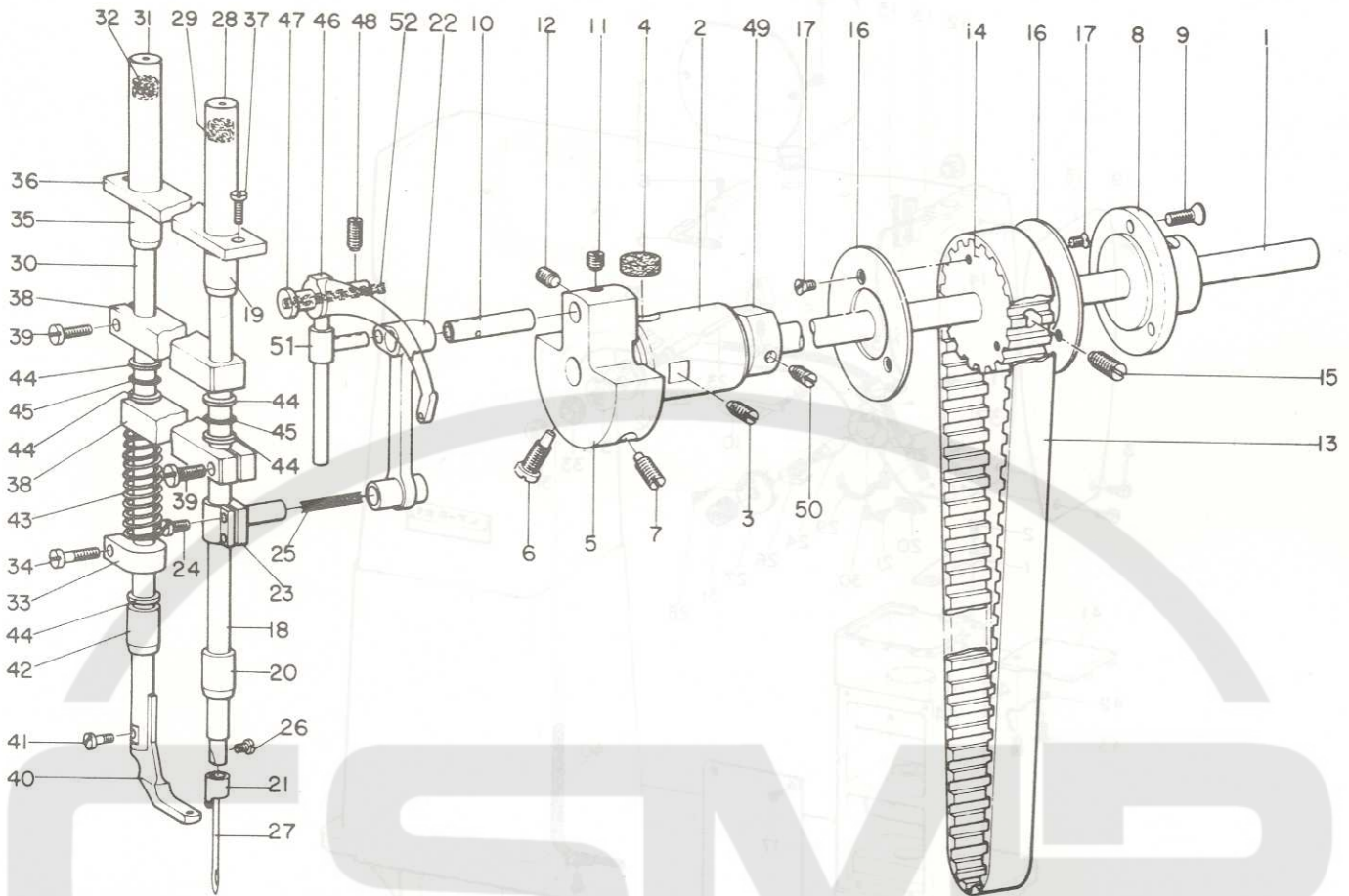
# 1. MACHINE FRAME & TENSION PARTS COMPONENTS



| Ref. No. | Part No.       | Description               | Amt. Req. | Ref. No. | Part No.       | Description                    | Amt. Req. |
|----------|----------------|---------------------------|-----------|----------|----------------|--------------------------------|-----------|
| 1        | B-1109-059-000 | Throat plate              | 1         | 24       | B-3123-051-000 | Take-up spring stud            | 1         |
| 2        | SS-7110710-SP  | ... Screw                 | 2         | 25       | SS-8111251-SP  | ... Screw                      | 1         |
| 3        | SS-7090910-SP  | Screw                     | 2         | 26       | B-3128-591-000 | Take-up spring                 | 1         |
| 4        | B-1114-012-000 | Thread guide pin          | 1         | *27      | B-3137-051-0A0 | Take-up spring guide disc asm. | 1         |
| 5        | B-1128-522-000 | Three-hole thread eyelet  | 1         | 28       | SS-6081210-SP  | Guide disc set screw           | 1         |
| 6        | SS-8110320-SP  | ... Screw                 | 1         | 29       | B-3138-591-000 | Take-up spring adjusting plate | 1         |
| 7        | B-1180-541-000 | Rubber plug               | 1         | 30       | SS-7090520-SP  | ... Screw                      | 1         |
| 8        | B-1130-027-000 | Side plate                | 1         | 31       | B-3125-012-000 | Tension nut                    | 3         |
| 9        | SS-2090710-SP  | ... Screw                 | 2         | 32       | B-3126-051-000 | Tension disc                   | 2         |
| 10       | B-1130-591-000 | Frame thread guide        | 1         | 33       | B-3129-012-A00 | Tension spring                 | 1         |
| 11       | NS-6090310-SP  | ... Nut                   | 2         | 34       | B-3132-051-000 | Tension release washer         | 1         |
| 12       | B-1164-012-000 | Rubber plug               | 1         | 35       | B-3130-591-000 | Thread guide (B)               | 1         |
| 13       | B-1170-591-000 | Oil pipe                  | 1         | 36       | SS-8150410-SP  | Tension post set screw         | 1         |
| 14       | CQ-202000000   | Oil wick                  | 1         | 37       | D-3536-555-B00 | Oil wick holder                | 1         |
| 15       | CQ-202000000   | Oil wick                  | 1         | 38       | SS-7090710-SP  | Screw                          | 2         |
| 16       | B-1812-059-000 | Post-bed cover            | 1         | 39       | B-3508-512-000 | Oil wick holder B              | 1         |
| 17       | SS-2090510-SP  | ... Screw                 | 4         | 40       | B-1171-591-000 | Oil wick                       | 1         |
| 18       | B-3101-059-000 | Face plate                | 1         | 41       | B-1110-591-000 | Bed slide                      | 1         |
| 19       | SS-7090910-SP  | ... Screw                 | 1         | 42       | B-1111-591-000 | Spring                         | 1         |
| 20       | B-1130-051-000 | Frame thread guide, lower | 1         | 43       | SS-7090510-SP  | Screw                          | 2         |
| 21       | SS-2090710-SP  | ... Screw                 | 1         | 44       | B-1840-591-000 | Plate                          | 1         |
| 22       | B-3124-059-000 | Thread tension post       | 1         | 45       | SS-7060610-SP  | Screw                          | 2         |
| 23       | B-3141-059-000 | Tension release pin       | 1         |          |                |                                |           |

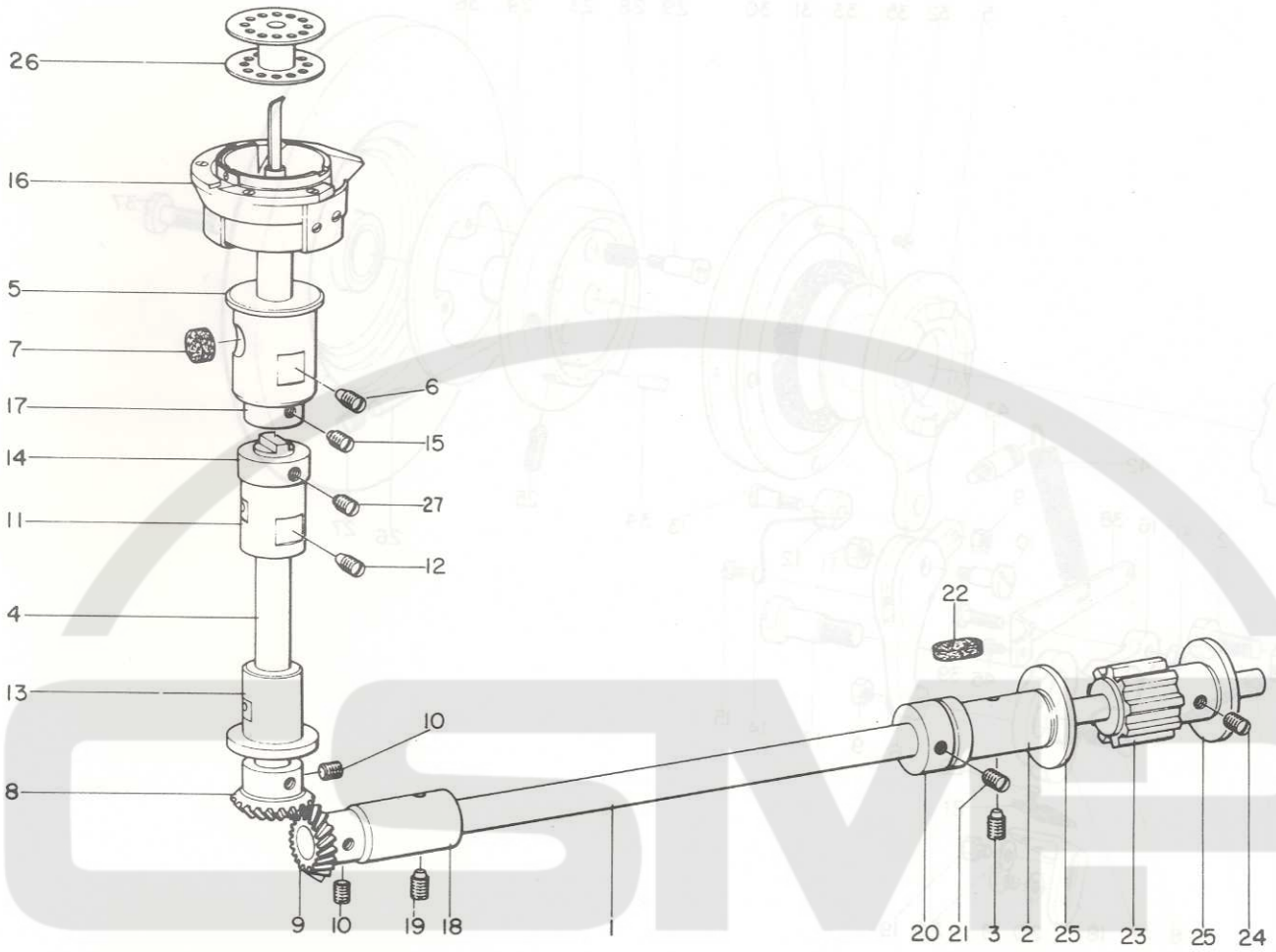


## 2. MAIN SHAFT, NEEDLE BAR & PRESSER BAR COMPONENTS



| Ref. No. | Part No.       | Description                     | Amt. Req. | Ref. No. | Part No.       | Description                       | Amt. Req. |
|----------|----------------|---------------------------------|-----------|----------|----------------|-----------------------------------|-----------|
| 1        | B-1201-059-000 | Main shaft                      | 1         | 26       | SS-7080510-SP  | Needle set screw                  | 1         |
| 2        | B-1202-059-000 | . . . Bushing, front            | 1         | 27       | MTV-700B1400   | Needle (TV x 7 #14)               | 1         |
| 3        | SS-8151770-SP  | . . . Screw                     | 1         | 28       | B-1506-059-000 | Needle bar guide sleeve           | 1         |
| 4        | B-1203-051-000 | . . . Oil felt                  | 1         | 29       | B-1507-591-000 | . . . Oil felt                    | 1         |
| 5        | B-1206-059-000 | Counterweight                   | 1         | 30       | B-1501-059-000 | Presser bar                       | 1         |
| 6        | SS-7681750-TP  | . . . Screw (A)                 | 1         | 31       | B-1506-059-000 | Presser bar guide sleeve          | 1         |
| 7        | SS-8681650-TP  | . . . Screw (B)                 | 1         | 32       | B-1507-591-000 | . . . Oil felt                    | 1         |
| 8        | B-1203-591-000 | Main shaft rear bushing         | 1         | 33       | B-1505-059-000 | Presser bar guide bracket         | 1         |
| 9        | SS-7621040-SP  | . . . Screw                     | 3         | 34       | SS-6121610-SP  | . . . Screw                       | 1         |
| 10       | B-1210-051-000 | Needle bar crank pin            | 1         | 35       | B-1402-059-000 | Presser bar upper bushing         | 1         |
| 11       | SS-8680540-SP  | . . . Screw (A)                 | 1         | 36       | B-1508-059-000 | Support plate, for guide sleeve   | 1         |
| 12       | SS-8680730-SP  | . . . Screw (B)                 | 1         | 37       | SS-7120910-SP  | . . . Screw                       | 2         |
| 13       | B-1340-059-000 | Timing belt                     | 1         | 38       | B-1509-059-000 | Presser bar connecting plate      | 2         |
| 14       | B-1341-059-000 | Sprocket wheel, upper           | 1         | 39       | SS-6621410-SP  | . . . Screw                       | 2         |
| 15       | SS-8681650-TP  | . . . Screw                     | 2         | 40       | B-1524-059-000 | Presser foot                      | 1         |
| 16       | B-1343-059-000 | . . . Thrust plate              | 2         | 41       | SS-6090910-TP  | . . . Screw                       | 1         |
| 17       | SS-2090510-SP  | . . . Screw                     | 6         | 42       | B-1403-059-000 | Presser bar lower bushing         | 1         |
| 18       | B-1401-059-000 | Needle bar                      | 1         | 43       | B-1504-591-000 | Presser spring                    | 1         |
| 19       | B-1402-059-000 | . . . Bushing, upper            | 1         | 44       | B-2740-771-000 | Gasket, for connecting plate      | 5         |
| 20       | B-1403-059-000 | . . . Bushing, lower            | 1         | 45       | RO-0952001-00  | Rubber ring, for connecting plate | 2         |
| 21       | B-1418-591-A00 | Needle thread guide             | 1         | 46       | B-1905-059-000 | Thread take-up lever              | 1         |
| 22       | B-1408-057-000 | Needle bar crank connecting rod | 1         | 47       | B-1906-051-000 | . . . Shaft                       | 1         |
| 23       | B-1411-057-000 | Needle bar connection           | 1         | 48       | SS-8151550-SP  | . . . Screw                       | 1         |
| 24       | SS-7110720-SP  | . . . Screw                     | 2         | 49       | B-3140-591-000 | Thread tension release cam        | 1         |
| 25       | B-1204-051-000 | . . . Oil wick                  | 1         | 50       | SS-8621150-SP  | . . . Screw                       | 2         |
|          |                |                                 |           | 51       | B-1907-057-000 | Thrust pin                        | 1         |
|          |                |                                 |           | 52       | CQ-2020000-00  | Oil wick                          | 1         |

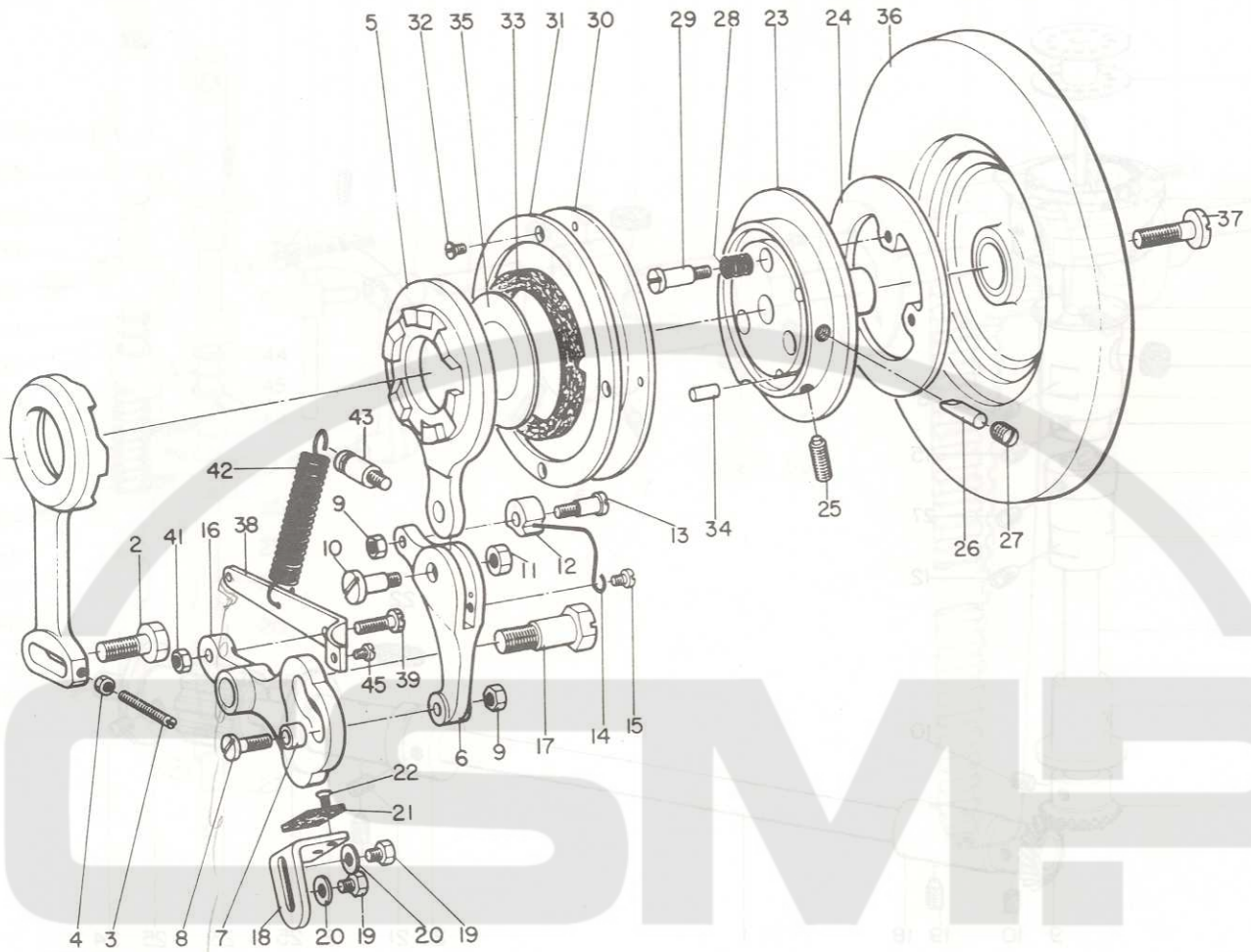
### 3. VERTICAL-AXIS SEWING HOOK & HOOK DRIVING SHAFT COMPONENTS



| Ref. No. | Part No.       | Description                                     | Amt. Req. | Ref. No. | Part No.       | Description                           | Amt. Req. |
|----------|----------------|---|-----------|----------|----------------|---------------------------------------|-----------|
| 1        | B-1801-059-000 | Hook driving shaft                              | 1         | 14       | CS-1271012-SH  | Thrust collar                         | 1         |
| 2        | B-1808-059-000 | . . . Bushing, rear                             | 1         | 15       | SS-8150410-SP  | . . . Screw                           | 2         |
| 3        | SS-8620850-SP  | . . . Screw                                     | 1         | 16       | B-1850-059-0A0 | Vertical-axis sewing hook             | 1         |
| 4        | B-1813-059-000 | Sewing hook connecting shaft                    | 1         | 17       | CS-0951019-SH  | . . . Thrust collar                   | 1         |
| 5        | B-1814-059-000 | Bushing, for sewing hook shaft                  | 1         | 18       | B-1802-591-000 | Front bushing, for hook driving shaft | 1         |
| 6        | SS-8620850-SP  | . . . Screw                                     | 1         | 19       | SS-8620850-SP  | . . . Screw                           | 1         |
| 7        | B-8206-012-000 | . . . Oil felt                                  | 1         | 20       | CS-1271012-SH  | Thrust collar, for hook driving shaft | 1         |
| 8        | B-1811-059-A00 | Mitre gear (A)                                  | 1         | 21       | SS-8660410-SP  | . . . Screw                           | 2         |
| 9        | B-1811-059-B00 | Mitre gear (B)                                  | 1         | 22       | B-1212-012-000 | Screw, for rear bushing               | 1         |
| 10       | SS-8110510-SP  | . . . Screw                                     | 4         | 23       | B-1302-581-000 | Sprocket wheel, lower                 | 1         |
| 11       | B-1832-059-000 | Upper bushing, for sewing hook connecting shaft | 1         | 24       | SS-9150860-SP  | . . . Screw                           | 2         |
| 12       | SS-8620850-SP  | . . . Screw                                     | 1         | 25       | B-1304-581-000 | . . . Thrust plate                    | 2         |
| 13       | B-1833-059-000 | Lower bushing, for connecting shaft             | 1         | 26       | B-9117-057-000 | Bobbin                                | 1         |
|          |                |   |           | 27       | SS-8660410-SP  | Screw                                 | 2         |



#### 4. STOP-MOTION CLUTCH COMPONENTS



| Ref. No. | Part No.       | Description                   | Amt. Req. | Ref. No. | Part No.       | Description          | Amt. Req. |
|----------|----------------|-------------------------------|-----------|----------|----------------|----------------------|-----------|
| 1        | B-1301-050-000 | Fixed clutch                  | 1         | 23       | B-1315-591-000 | Friction clutch (A)  | 1         |
| 2        | B-1313-050-000 | ... Screw                     | 1         | 24       | B-1316-050-000 | Friction clutch (B)  | 1         |
| 3        | B-1314-050-000 | ... Stopper                   | 1         | 25       | SS-8681650-TP  | ... Screw            | 2         |
| 4        | NS-6080210-SP  | ... Nut                       | 1         | 26       | B-1318-050-000 | ... Pin              | 1         |
| 5        | B-1302-050-000 | Stop-motion clutch            | 1         | 27       | SS-8680730-SP  | ... Screw            | 1         |
| 6        | B-1303-050-000 | ... Lever                     | 1         | 28       | B-1322-050-000 | ... Spring           | 3         |
| 7        | B-1305-050-000 | ... Roller, for driving lever | 1         | 29       | SD-0651501-SP  | ... Driving pin      | 3         |
| 8        | SD-0640642-SP  | ... Hinge screw               | 1         | 30       | B-1317-050-000 | ... Plate            | 1         |
| 9        | NS-6150310-SP  | ... Nut                       | 2         | 31       | B-1324-050-000 | ... Presser plate    | 1         |
| 10       | SD-0790802-SP  | ... Hinge screw               | 1         | 32       | SS-1090930-SP  | ... Screw            | 4         |
| 11       | NS-6160520-SP  | ... Nut                       | 1         | 33       | B-1320-050-000 | Brake                | 1         |
| 12       | B-1307-050-000 | ... Driving cam               | 1         | 34       | B-1319-050-000 | ... Pin              | 1         |
| 13       | SD-0640641-SP  | ... Hinge screw               | 1         | 35       | B-1323-050-000 | Clutch liner         | 1         |
| 14       | B-1309-050-000 | ... Spring                    | 1         | 36       | B-1325-050-000 | Driving pulley       | 1         |
| 15       | SS-6080610-TP  | ... Screw                     | 1         | 37       | B-1211-050-000 | ... End screw        | 1         |
| 16       | B-1310-050-000 | ... Driving lever             | 1         | 38       | B-1330-050-000 | Driving lever        | 1         |
| 17       | SD-1201751-SP  | ... Hinge screw               | 1         | 39       | SS-9151740-CP  | ... Bolt             | 1         |
| 18       | B-1331-050-000 | ... Stopper                   | 1         | 40       | SS-4091010-SP  | ... Screw            | 1         |
| 19       | SS-9151120-CP  | ... Screw                     | 2         | 41       | NS-6150430-SP  | ... Nut              | 1         |
| 20       | WP-0650876-SD  | ... Washer                    | 2         | 42       | B-1342-591-000 | Tension spring       | 1         |
| 21       | B-1332-050-000 | ... Cushion                   | 1         | 43       | B-2714-761-000 | ... Suspension screw | 1         |
| 22       | SS-1080510-SP  | ... Screw                     | 2         |          |                |                      |           |



# JUKI

## JUKI CORPORATION

HEAD OFFICE  
2-1, 8-CHOME, KOKURYO-CHO,  
CHOFU-CITY, TOKYO, JAPAN

BUSINESS OFFICE  
23-3, KABUKI-CHO 1-CHOME,  
SHINJUKU-KU, TOKYO 160, JAPAN

CABLE : JUKI TOKYO  
TELEX : J22967, 232-2301  
PHONE : 03(205)1188, 1189, 1190

## JUKI 株式会社

〒182 東京都調布市国領町8-2-1  
TEL. 03-480-1111(代表)  
工業製品販売部  
TEL. 03-480-1113(ダイヤルイン)

|     |            |            |
|-----|------------|------------|
| 1   | 1000000000 | 1000000000 |
| 2   | 1000000000 | 1000000000 |
| 3   | 1000000000 | 1000000000 |
| 4   | 1000000000 | 1000000000 |
| 5   | 1000000000 | 1000000000 |
| 6   | 1000000000 | 1000000000 |
| 7   | 1000000000 | 1000000000 |
| 8   | 1000000000 | 1000000000 |
| 9   | 1000000000 | 1000000000 |
| 10  | 1000000000 | 1000000000 |
| 11  | 1000000000 | 1000000000 |
| 12  | 1000000000 | 1000000000 |
| 13  | 1000000000 | 1000000000 |
| 14  | 1000000000 | 1000000000 |
| 15  | 1000000000 | 1000000000 |
| 16  | 1000000000 | 1000000000 |
| 17  | 1000000000 | 1000000000 |
| 18  | 1000000000 | 1000000000 |
| 19  | 1000000000 | 1000000000 |
| 20  | 1000000000 | 1000000000 |
| 21  | 1000000000 | 1000000000 |
| 22  | 1000000000 | 1000000000 |
| 23  | 1000000000 | 1000000000 |
| 24  | 1000000000 | 1000000000 |
| 25  | 1000000000 | 1000000000 |
| 26  | 1000000000 | 1000000000 |
| 27  | 1000000000 | 1000000000 |
| 28  | 1000000000 | 1000000000 |
| 29  | 1000000000 | 1000000000 |
| 30  | 1000000000 | 1000000000 |
| 31  | 1000000000 | 1000000000 |
| 32  | 1000000000 | 1000000000 |
| 33  | 1000000000 | 1000000000 |
| 34  | 1000000000 | 1000000000 |
| 35  | 1000000000 | 1000000000 |
| 36  | 1000000000 | 1000000000 |
| 37  | 1000000000 | 1000000000 |
| 38  | 1000000000 | 1000000000 |
| 39  | 1000000000 | 1000000000 |
| 40  | 1000000000 | 1000000000 |
| 41  | 1000000000 | 1000000000 |
| 42  | 1000000000 | 1000000000 |
| 43  | 1000000000 | 1000000000 |
| 44  | 1000000000 | 1000000000 |
| 45  | 1000000000 | 1000000000 |
| 46  | 1000000000 | 1000000000 |
| 47  | 1000000000 | 1000000000 |
| 48  | 1000000000 | 1000000000 |
| 49  | 1000000000 | 1000000000 |
| 50  | 1000000000 | 1000000000 |
| 51  | 1000000000 | 1000000000 |
| 52  | 1000000000 | 1000000000 |
| 53  | 1000000000 | 1000000000 |
| 54  | 1000000000 | 1000000000 |
| 55  | 1000000000 | 1000000000 |
| 56  | 1000000000 | 1000000000 |
| 57  | 1000000000 | 1000000000 |
| 58  | 1000000000 | 1000000000 |
| 59  | 1000000000 | 1000000000 |
| 60  | 1000000000 | 1000000000 |
| 61  | 1000000000 | 1000000000 |
| 62  | 1000000000 | 1000000000 |
| 63  | 1000000000 | 1000000000 |
| 64  | 1000000000 | 1000000000 |
| 65  | 1000000000 | 1000000000 |
| 66  | 1000000000 | 1000000000 |
| 67  | 1000000000 | 1000000000 |
| 68  | 1000000000 | 1000000000 |
| 69  | 1000000000 | 1000000000 |
| 70  | 1000000000 | 1000000000 |
| 71  | 1000000000 | 1000000000 |
| 72  | 1000000000 | 1000000000 |
| 73  | 1000000000 | 1000000000 |
| 74  | 1000000000 | 1000000000 |
| 75  | 1000000000 | 1000000000 |
| 76  | 1000000000 | 1000000000 |
| 77  | 1000000000 | 1000000000 |
| 78  | 1000000000 | 1000000000 |
| 79  | 1000000000 | 1000000000 |
| 80  | 1000000000 | 1000000000 |
| 81  | 1000000000 | 1000000000 |
| 82  | 1000000000 | 1000000000 |
| 83  | 1000000000 | 1000000000 |
| 84  | 1000000000 | 1000000000 |
| 85  | 1000000000 | 1000000000 |
| 86  | 1000000000 | 1000000000 |
| 87  | 1000000000 | 1000000000 |
| 88  | 1000000000 | 1000000000 |
| 89  | 1000000000 | 1000000000 |
| 90  | 1000000000 | 1000000000 |
| 91  | 1000000000 | 1000000000 |
| 92  | 1000000000 | 1000000000 |
| 93  | 1000000000 | 1000000000 |
| 94  | 1000000000 | 1000000000 |
| 95  | 1000000000 | 1000000000 |
| 96  | 1000000000 | 1000000000 |
| 97  | 1000000000 | 1000000000 |
| 98  | 1000000000 | 1000000000 |
| 99  | 1000000000 | 1000000000 |
| 100 | 1000000000 | 1000000000 |